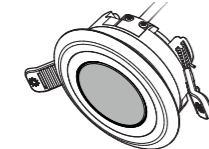
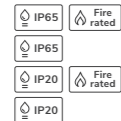




### Lumi-Plugin® Downlight LP110 Downlight only

LP110WH3K / LP110WH4K  
LP110WH3KIP / LP110WH4KIP  
LP110WH3KFR / LP110WH4KFR  
LP110WH3KNIL / LP110WH4KNIL

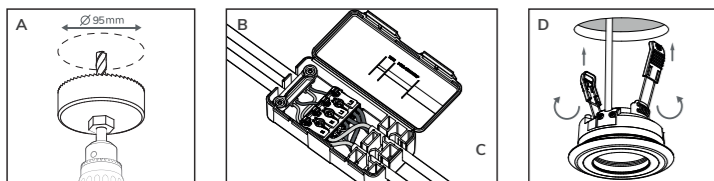


#### Lumi-Plugin® Downlight installation instructions

All our products must be installed in accordance with the latest amendment of wiring regulations BS 7671. All work undertaken should be carried out by a competent electrician and adhered to the Electricity at Work Regulations 1989 and associated H&S practices. Remember to switch off mains power and plan where the downlight will be installed.

1. Cut a circular hole – exactly 95mm in diameter – in the ceiling (A).
2. The downlight (and plugin, if there is one) will be pre-wired into the junction box (B).
3. Take a mains supply feed from the lighting circuit. Strip off the end of the cable and connect into the junction box (C). See wiring diagram below.
4. Install into the ceiling (D).

**IMPORTANT!** If you would like to use Lumi-Plugin® downlights with a smart home system, then please do let us know so we can do some additional testing before installation to ensure compatibility. Lumi-Plugin Ltd cannot be held responsible for any installations with third party products.

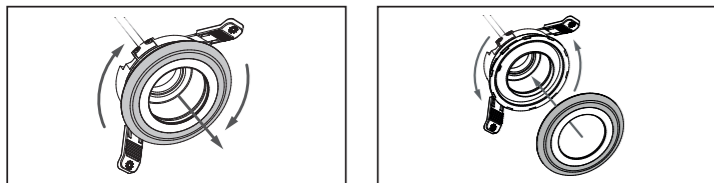


#### Lumi-Plugin® Downlight light source replacement

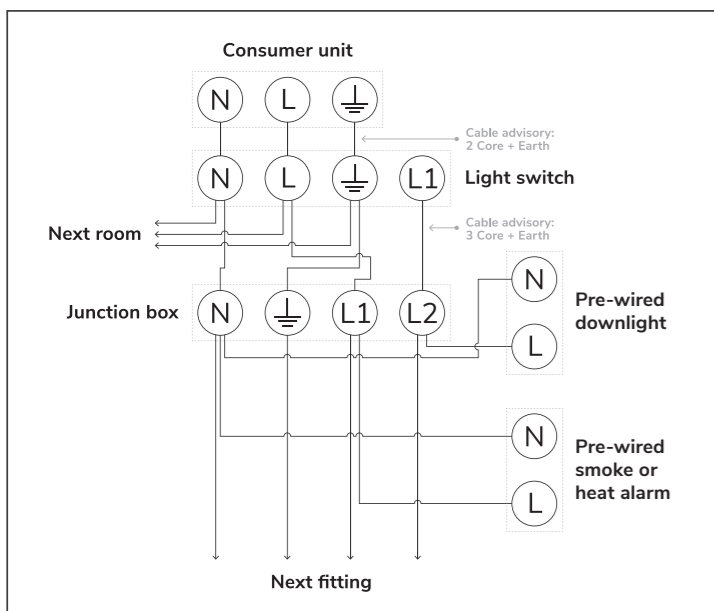
1. Before you start, make sure the downlight is switched off.
2. To remove the light source, pull the downlight out from its hole.
3. Twist the light source clockwise and it will then release.
4. To attach the new light source, line up the indicators on the back of the light source with the downlight and twist anticlockwise until the light source stops turning.

**Please note:** Only a Lumi-Plugin® replacement light source can be used.

**Top tip:** For a flush finish, remove the IP seal from the downlights that don't need to be IP65 or IP54 rated.



#### Lumi-Plugin® Downlight wiring diagram



Lumi-Plugin® Downlight specification	
Lumens	600 lumens
Wattage	8.2W
Voltage	220-240V AC 50Hz
Dimmable	Trailing Edge
Fire rated	30/60/90 – Solid Joist 30 – Metal Webbed Joist & I-Joist
Built-in driver	Yes
Colour temperature	3000K/4000K
Cut-out size	95mm
Warranty / hours	5 years / 50,000 hours
Colour rendering index (CRI)	>80
Beam angle	100 degrees
Product depth / diameter	55mm / 110mm
kWh per 1000hr life	10kWh
Luminaire efficiency	86.05lm/W
Energy rating	F

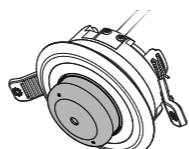


### Lumi-Smoke®

#### LP110 Mains powered smoke alarm Install plugin with downlight

(110-230V AC) with a non-replaceable lithium back-up battery. RF wirelessly connected.

LP110WH3KMBWSA / LP110WH4KMBWSA



### One-Smoke®

#### LS110 Mains powered smoke alarm Install plugin without downlight

(110-230V AC) with a non-replaceable lithium back-up battery. RF wirelessly connected.

LS110WHMBWSA



Lumi-Plugin® smoke and heat alarms connect to each other using RF. Max 32 alarms.

IP20 rated



#### Install smoke alarms in:

- Bedrooms
- Living rooms
- Halls
- Landings

#### DO NOT install smoke alarms in:

- Dusty rooms
- Kitchens, garages, laundries, or too close to fire places
- Areas where dampness, gases or smoke could occur – install our heat alarm instead
- Rooms where the temperature goes outside the range of 4°C to 38°C or above 90% relative humidity, not condensing
- At the highest point of the apex and within 300mm of any walls.

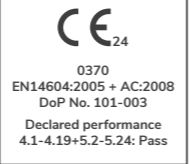
#### Lumi-Smoke® / One-Smoke® installation instructions

Smoke alarm installation only. To install the downlight follow installation of downlight only.

All our products must be installed in accordance with the latest amendment of wiring regulations BS 7671. All work undertaken should be carried out by a competent electrician and adhered to the Electricity at Work Regulations 1989 and associated H&S practices. Remember to switch off mains power. Our Smoke and Heat alarms must be installed in accordance with BS 5839-6:2019+A1:2020.

1. Alarms will come pre-wired into the junction box.
2. Take a mains supply feed, strip off the end of the cable and connect into the junction box. See wiring diagram (B).

**WARNING** A dust cover protects the alarm from exposure to excessive dust, which could potentially damage the alarm. Only remove the dust cover in a clean and dust-free environment.  
**Please note:** Placement should be a minimum of one smoke alarm per floor and a maximum distance between alarms of 10 metres. Do not exceed 10m separation. Smoke alarm has been approved for ceiling installation only.



### Lumi-Smoke® / One-Smoke® specification

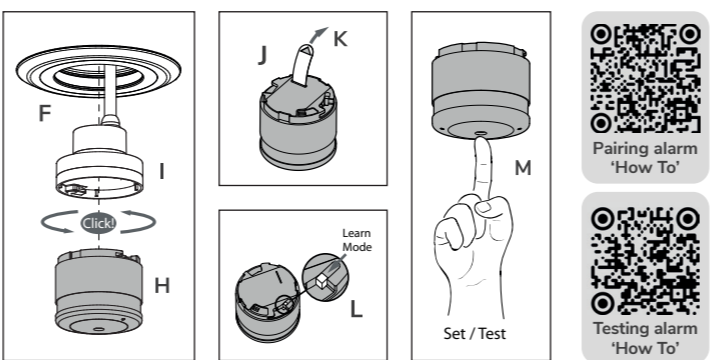
Battery type	Non-replaceable CR2 10 year battery
Radio frequency	868MHz
Radio frequency distance	100 metres in an open area
Operating temperature	-10°C to +70°C
Voltage	110V AC / 230V AC
Power consumption	161mAh in non-alarm condition
Sound	Audible indicator minimum 85dB @ 3 metres in anechoic successive tones
Fire rated	30/60/90 – Solid Joist 30 – Metal Webbed Joist & I-Joist

#### Set and connect smoke alarms

**IMPORTANT!** Always commission the alarms at the end of second fix to avoid dust entering the alarm and the battery being drained.

1. Pull down the smoke alarm (H). Twist anticlockwise to release the alarm from the mains power (I) – you will hear a click.
2. Remove the isolation strip (J) from the battery compartment (K). **Please note:** RF connection is powered with the battery only – you do not have to connect the power supply. Do not remove the product label.
3. On the back of each alarm, slide the switch to the 'Learn Mode' position (L). A red LED will light up. This will enable all alarms in the property to connect. **Please note: The 'Learn Mode' switch (L) can only be used when the alarm is disconnected from the mains power supply unit (I).**
4. Press and hold the test button (M) on one alarm – The Master – until it beeps and the red LED flashes. A signal will be sent to all the other alarms causing each red LED to flash. Once complete, return the alarm (H) into its base (I) and mount into the fitting (F). **IMPORTANT! Take out of 'Learn Mode' (L) before putting the alarm back into the base (I).**

**Please note:** Never leave the alarms in pairing mode for more than 10 minutes.



### Lumi-Heat® / One-Heat® specification

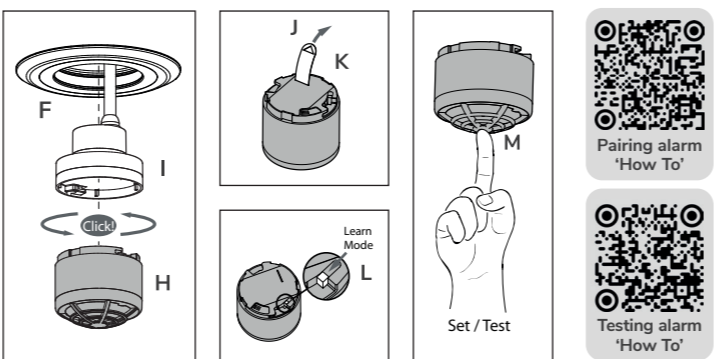
Battery type	Non-replaceable CR2 10 year battery
Radio frequency	868MHz
Radio frequency distance	100 metres in an open area
Operating humidity	Up to 95% RH non-condensing
Operating temperature	+4°C to +38°C (tested 0°C to 55°C)
Voltage	110V AC / 230V AC
Power consumption	145mAh in non-alarm condition
Sound	Audible indicator minimum 85dB @ 3 metres in anechoic successive tones
Fire rated	30/60/90 – Solid Joist 30 – Metal Webbed Joist & I-Joist

#### Set and connect heat alarms

**IMPORTANT!** Always commission the alarms at the end of second fix to avoid dust entering the alarm and the battery being drained.

1. Pull down the heat alarm (H). Twist anticlockwise to release the alarm from the mains power (I) – you will hear a click.
2. Remove the isolation strip (J) from the battery compartment (K). **Please note:** RF connection is powered with the battery only – you do not have to connect the power supply. Do not remove the product label.
3. On the back of each alarm, slide the switch to the 'Learn Mode' position (L). A red LED will light up. This will enable all alarms in the property to connect. **Please note: The 'Learn Mode' switch (L) can only be used when the alarm is disconnected from the mains power supply unit (I).**
4. Press and hold the test button (M) on one alarm – The Master – until it beeps and the red LED flashes. A signal will be sent to all the other alarms causing each red LED to flash. Once complete, return the alarm (H) into its base (I) and mount into the fitting (F). **IMPORTANT! Take out of 'Learn Mode' (L) before putting the alarm back into the base (I).**

**Please note:** Never leave the alarms in pairing mode for more than 10 minutes.



#### Testing the smoke alarm

All alarms must be tested regularly, after installation and at least once per quarter, to ensure they are operating and positioned correctly.

Press the test button on any alarm (M) for at least 10 seconds. A single test beep and the red LED will flash every eight seconds for 2 minutes. All other connected alarms will also sound after a short delay. Need to stop a test? One short press of the test button will do it.

**Please note: Test function also transmits a weaker RF signal to ensure an optimal operation in normal conditions.**

#### Smoke alarm modes

**Normal mode:** The green LED shows the alarm is connected to mains power and operating correctly – after installation, it may take up to one minute to light up.

**Pause/Hush mode:** Sometimes false alarms can occur due to fire-like phenomena. Simply press the test button (M) on the smoke alarm with the red flashing LED to pause for 10 minutes – until things cool down.

**Fault mode:** Three short beeps every 8 seconds indicates a smoke alarm fault. If required, this indication can be stopped early on each alarm by a short press of the test button (M). If the problem continues, please visit lumi-plugin.com for any troubleshooting.

**Please note: It is vital to locate the source of the alarm before using the hush function to ensure safety and prevent a life-threatening situation. The red LED will only flash on one alarm to make it easier to identify the source.**

#### Smoke alarm signals

When smoke is detected, the alarm nearest to the source will sound and the red LED will flash. All other connected alarms will also sound after a short delay.

**Alarm signal** --- --- --- is a life-threatening alarm for smoke or heat.

Our alarms respond in two other ways:

1. A single beep every eight seconds – the test function indicates that the alarms are connected and functioning (Test mode).
2. Three short beeps every eight seconds – this indicates a smoke sensor fault.

Use a vacuum cleaner to remove any dust and test again. If the problem continues please contact us on **+44 (0) 33 0380 1329**.

#### Smoke alarm low-battery signal

Our alarms have a non-replaceable battery that will last up to 10 years. When the battery is reaching the end of its life, a short beep will sound out every 48 seconds for 30 days. This indicates that the alarm must be replaced.

#### Smoke alarm maintenance and troubleshooting

The alarms should be vacuum cleaned once per quarter, to remove dust particles, and they can be wiped with a damp cloth. NEVER open an alarm. High humidity condensation can be resolved by drying the alarms with a clean cloth. If the alarms do not work when the test button (M) is pushed, the probable cause is a power failure.

You can find more solutions to FAQs at [lumi-plugin.com](http://lumi-plugin.com).

#### Testing the heat alarms

All alarms must be tested regularly, after installation and at least once per quarter, to ensure they are operating and positioned correctly.

Press the test button on any alarm (M) for at least 10 seconds. A single test beep and the red LED will flash every eight seconds for 2 minutes. All other connected alarms will also sound after a short delay. Need to stop a test? One short press of the test button will do it.

**Please note: Test function also transmits a weaker RF signal to ensure an optimal operation in normal conditions.**

#### Heat alarm modes

**Normal mode:** The green LED shows the alarm is connected to mains power and operating correctly – after installation, it may take up to one minute to light up.

**Pause/Hush mode:** Sometimes false alarms can occur due to fire-like phenomena. Simply press the test button (M) on the heat alarm with the red flashing LED to pause for 10 minutes – until things cool down.

**Fault mode:** Three short beeps every 8 seconds indicates a heat alarm fault. If required, this indication can be stopped early on each alarm by a short press of the test button (M). If the problem continues, please visit lumi-plugin.com for any troubleshooting.

**Please note: It is vital to locate the source of the alarm before using the hush function to ensure safety and prevent a life-threatening situation. The red LED will only flash on one alarm to make it easier to identify the source.**

#### Heat alarm signals

When heat is detected, the alarm nearest to the source will sound and the red LED will flash. All other connected alarms will also sound after a short delay.

**Alarm signal** --- --- --- is a life-threatening alarm for smoke or heat.

Our alarms respond in two other ways:

1. A single beep every eight seconds – the test function indicates that the alarms are connected and functioning (Test mode).
2. Three short beeps every eight seconds – this indicates a heat sensor fault.

Use a vacuum cleaner to remove any dust and test again. If the problem continues please contact us on **+44 (0) 33 0380 1329**.

#### Heat alarm low-battery signal

Our alarms have a non-replaceable battery that will last up to 10 years. When the battery is reaching the end of its life, a short beep will sound out every 48 seconds for 30 days. This indicates that the alarm must be replaced.

#### Heat alarm maintenance and troubleshooting

The alarms should be vacuum cleaned once per quarter, to remove dust particles, and they can be wiped with a damp cloth. NEVER open an alarm. High humidity condensation can be resolved by drying the alarms with a clean cloth. If the alarms do not work when the test button (M) is pushed, the probable cause is a power failure.

You can find more solutions to FAQs at [lumi-plugin.com](http://lumi-plugin.com).

# Installation + specification information

LUMI-PLUGIN®



5 year guarantee



50,000 hours



IP rated



Dimmable



100° beam angle



600 lumens



Fire-rated 30/60/90



Built-in driver



Class 2

Lumi-Plugin®  
The Green Barn  
The Long Yard  
Shefford Woodlands  
Newbury, Berkshire  
RG17 7EH

Company Number: 9152482



Product resources and more.

[lumi-plugin.com](http://lumi-plugin.com)

Oops! Sorry, if any items are missing, please call us on **+44 (0) 3303 801 329**.

Please don't throw me away – keep for your reference or recycle with the box.



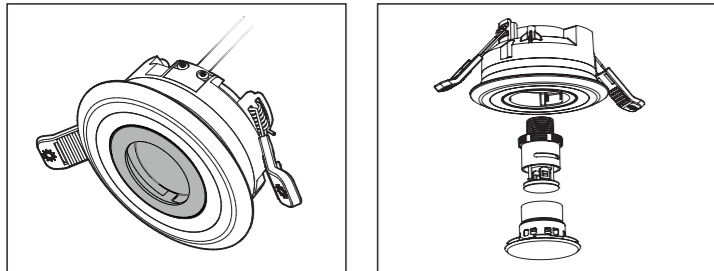
**Lumi-Sprinkler®**  
**LP110 Sprinkler**  
 Install plugin with downlight  
 LP110WH3KSPK / LP110WH4KSPK

IP54 rated (exposed surface only) UK CA CE Fire rated



**Lumi-Sprinkler® installation instructions**  
 To install the downlight follow installation of downlight only.

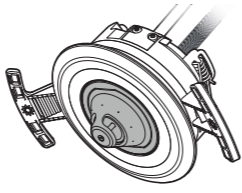
- Sprinkler installation must be completed by an approved sprinkler installer.
- Lumi-Plugin® downlights have been designed to work in conjunction with specific Rapidrop sprinkler heads to enable commercial installations to LPS 1048 and residential installations to BS 9251:2014.
- All sprinkler heads can be accessed without removing our downlight. If the downlight needs replacing, it can be passed over the sprinkler head by removing the concealed cover plate – this must be completed by an approved sprinkler installer.
- The original classification of sprinkler response time index and water spray distribution remain unchanged as long as the installation instructions at rapidrop.com are adhered to.



Lumi-Sprinkler® specification		
Brand	RD107	RD205
K factor	5.6	4.9
Cover plate size	60mm (2-3/8")	
Link	Fusible link	
Maximum working pressure	12.1 bar (175 psi)	
Temperature rating	Sprinkler: 72°C (162°F) Cover plate: 60°C (140°F)	
Vertical adjustment	9.0mm (3/8")	
Fire rated	30/60/90 – Solid Joist 30 – Metal Webbed Joist & I-Joist	

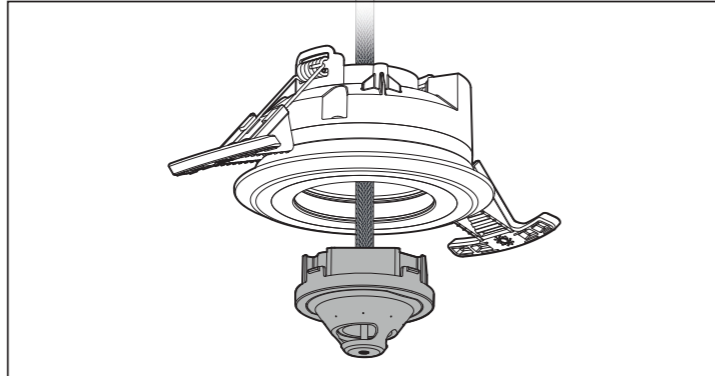
**Lumi-Mist®**  
**LP110 Mist**  
 Install plugin with downlight  
 LP110WH3KIMIST / LP110WH4KIMIST

IP54 rated (exposed surface only) CE Fire rated



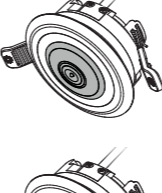
**Lumi-Mist® installation instructions**  
 To install the downlight follow installation of downlight only.

Lumi-Plugin® downlights have been designed to work in conjunction with iMist heads only. All Lumi-Mist® plugins are tested to BS 8458:2015 and must be installed by an iMist approved installer. The original classification of the mist head response time and water spray distribution remain unchanged as long as the installation has been completed to the iMist installation standards.



Lumi-Mist® specification	
Design pressure	36+Bar
Design flow	8lts (max)
Coverage	16m² (max) floor area per nozzle
Temperature rating	55 degrees +
Approval	Successfully live fire tested to BS 8458:2015 Annex C by Exova Warringtonfire and ongoing R&D testing by FPA.
Classification	Residential
Fire rated	30/60/90 – Solid Joist 30 – Metal Webbed Joist & I-Joist


**Lumi-Emergency® Flood**  
**LP110 Emergency light**  
 Install plugin with downlight  
 LP110WH3KFLEM / LP110WH4KFLEM



**Lumi-Emergency® Corridor**  
**LP110 Emergency light**  
 Install plugin with downlight  
 LP110WH3KCOEM / LP110WH4KCOEM



**Lumi-Emergency® Living**  
**LP110 Emergency light**  
 Install plugin with downlight  
 LP110WH3KHTEM / LP110WH4KHTEM



IP20 rated UK CA CE Fire rated

**Lumi-Emergency® installation instructions**  
 To install the downlight follow installation of downlight only.

All our products must be installed in accordance with the latest amendment of wiring regulations BS 7671. All work undertaken should be carried out by a competent electrician and adhered to the Electricity at Work Regulations 1989 and associated H&S practices. Remember to switch off mains power.

- The emergency light will come pre-wired into the junction box.
- Only connect the battery when the unswitched supply is fully assured. Even though these units are protected with a Deep Discharge Protection Circuit, the batteries can be damaged by being left in an uncharged state for prolonged periods. Ensure correct polarity.
- When the supply is present and the battery is connected, check that the green LED indicator is luminated showing that supply is healthy and the batteries are charging.

**Please note: If the indicator is red there is a fault. If the indicator is green everything is working well. Red indicator is only present when self-test or DALI control gear is chosen as an option.**

- Set and connect Lumi-Emergency®**
- Ensure the load is connected.
  - Connect the battery.
  - Switch on the unswitched supply – check the charge LED illuminates.
  - Switch off the unswitched supply – check the charge LED extinguishes and the load LED illuminates at a reduced output.
  - Enter the commissioning date on the battery pack.
  - Switch on the unswitched supply.

Lumi-Emergency® Flood specification	
Battery size / type	3.2V 3.8Ah LiFePO4
Beam angle	115 degrees
Voltage	240V
Light source	Samsung LH315B
Light source colour temperature	6500K
Non-maintained	Yes
Output at 550mA	201 lumens
Power rating	3W
Wiring method	Series connection via C4201 plug

Lumi-Emergency® Corridor specification	
Battery size / type	3.2V 3.8Ah LiFePO4
Beam angle	155 degrees
Voltage	240V
Light source	Samsung LH315B
Light source colour temperature	6500K
Non-maintained	Yes
Output at 550mA	232 lumens
Power rating	3W
Wiring method	Series connection via C4201 plug

Lumi-Emergency® Living specification	
Battery size / type	3.2V 3.8Ah LiFePO4
Beam angle	135 degrees
Voltage	240V
Light source	Samsung LH315B
Light source colour temperature	6500K
Non-maintained	Yes
Output at 550mA	224 lumens
Power rating	3W
Wiring method	Series connection via C4201 plug

All Lumi-Emergency® Plugins are also available as self-test or DALI control.



# One downlight. Two ranges. Multiple plugins.

Before you get started – we promise to be quick – we wanted to introduce our two ranges to make sure you have the best products to transform your property.

Our 'Lumi' range of innovative plugins are supplied and installed with our LP110 Lumi-Plugin® downlight. However, our 'One' range of essential fire safety, lighting plugins are designed to be installed as standalone fixtures – so will always be supplied without our downlight.

All of our products from both ranges are quick and easy to install. (If you're reading this, you're about to find that out.)

**Lumi-PIR®**  
**LP110 PIR Sensor**  
 Install plugin with downlight  
 LP110WH3KMPPIR / LP110WH4KMPPIR

IP54 rated (exposed surface only) UK CA CE Fire rated



**Lumi-PIR® installation instructions**  
 To install the downlight follow installation of downlight only.

All our products must be installed in accordance with the latest amendment of wiring regulations BS 7671. All work undertaken should be carried out by a competent electrician and adhered to the Electricity at Work Regulations 1989 and associated H&S practices. Remember to switch off mains power.

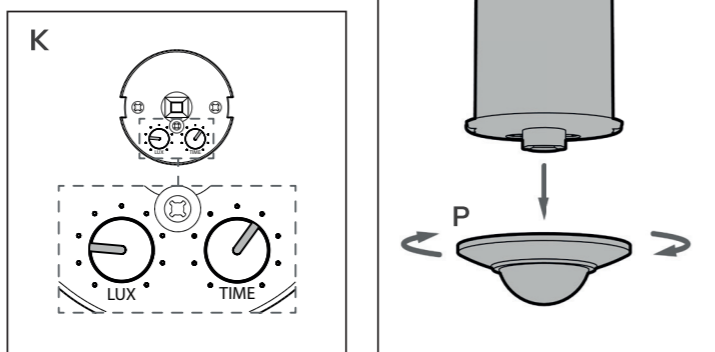
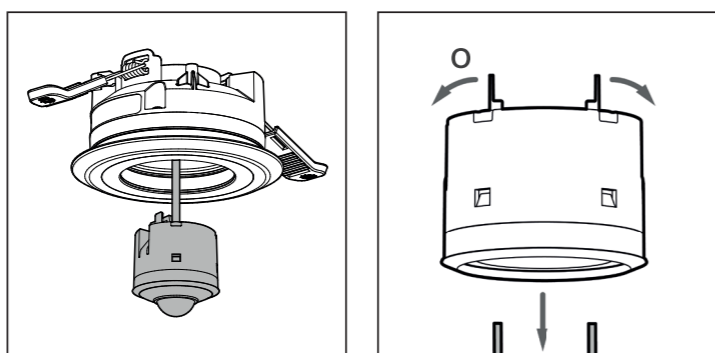
- Pull the PIR sensor out of the middle of the downlight.
- Unscrew and release the clear cap from the back.
- Wire up the PIR sensor through the middle of the downlight.
- Push the PIR sensor back into the downlight.

**Set and connect Lumi-PIR®**

- Switch on the power; the sensor and its connected downlight will have no signal to begin with. After 30 seconds warm-up, the sensor can start work. If the sensor receives the induction signal, the downlight will turn on. If there is no other induction signal to the sensor within 3-10 seconds, the downlight will turn off.
- Turn the plastic cover on the sensor anticlockwise so you can adjust time and lux (K).
- Turn lux dial anticlockwise to the minimum (3). If the ambient light is more than 3 lux, the sensor will not detect and the downlight will stop working. If the ambient light is less than 3 lux (darkness), the sensor will work. Under no induction signal condition, the sensor should stop working within 10 seconds.

**Top tip: Unclip the adapter wings (O); this will help remove the front cover (P) to access the time and lux adjustment (K)**

Lumi-PIR® specification	
Voltage	220-240V AC 50/60Hz
Power consumption	0.5W
Ambient light	>3-2000 LUX adjustable
Detection distance	3 metres max.
Detection moving speed	0.6-1.5 m/s
Detection range	360 degrees
Installation height	2-4 metres
Rated load	Max 400W
Time delay	Min. 10sec, max. 15min
Working humidity	<93%RH
Working temperature	-20°C to +40°C
Fire rated	30/60/90 – Solid Joist 30 – Metal Webbed Joist & I-Joist

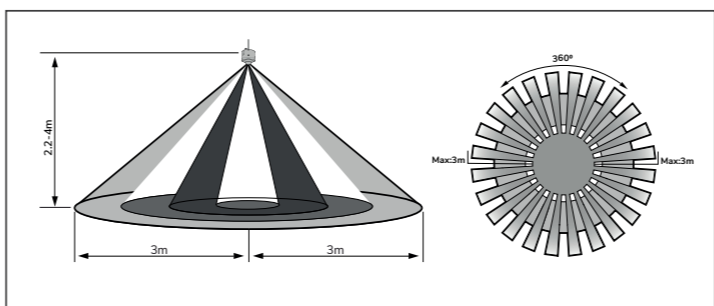
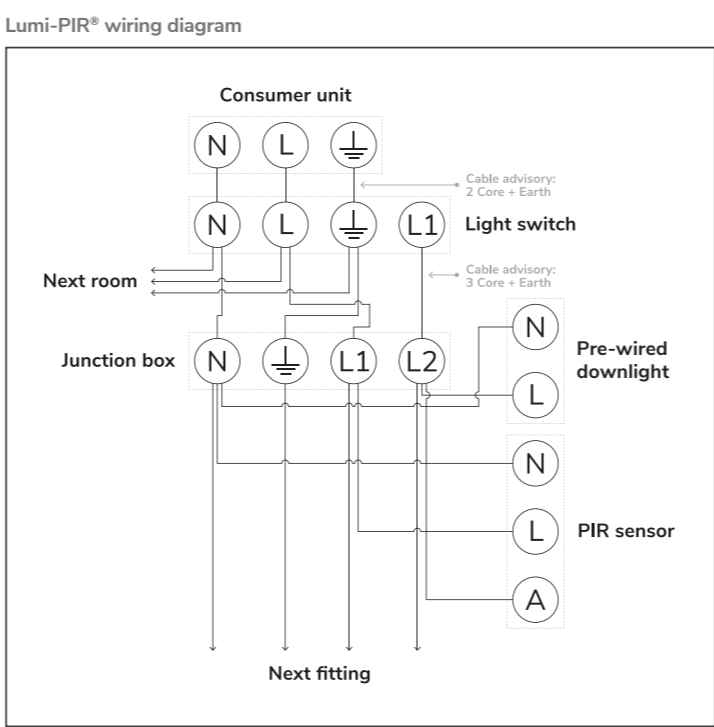


**WARNING**

**Lumi-PIR® installation advice**

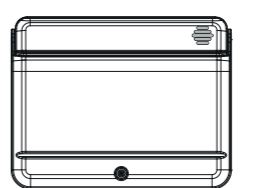
As the sensor responds to changes in temperature, avoid the following situations:

- Avoid pointing the sensor towards objects with highly reflective surfaces or objects that may move in the wind, such as mirrors, curtains, tall plants etc.
- Avoid mounting the sensor near heat sources, such as heating vents, or air-conditioning units.
- Never install PIR sensors within internal hallways.



**Lumi-Relay®**  
**Powerful relay connection**  
 Connects external systems to our alarm  
 LPRLY9004

UK CA CE WIRELESS TEAM



**Lumi-Relay® installation instructions**  
 Relay that connects external systems to Lumi-Plugin® smoke and heat alarms.

All our products must be installed in accordance with the latest amendment of wiring regulations BS 7671. All work undertaken should be carried out by a competent electrician and adhered to the Electricity at Work Regulations 1989 and associated H&S practices. Remember to switch off mains power.

For more information on how to install the Lumi-Relay please see installation instructions within the Lumi-Relay box or contact support@lumi-plugin.com.


Lumi-Relay specification	
Voltage	230V AC, 3.7W
Battery type	Replaceable CR2 battery
Relay output	Latched or pulsed (user selectable)
Trigger inputs	Volt-free: 3V DC output with return Voltage in: 3V - 30V
Interconnection	Up to 32 units
Interlink frequency	868 MHz
Operating temperature	0°C to 40°C
Operating humidity	0% to 90% RH non-condensing
Installation	Surface mounted

**Safety**  
 Take note of these details to ensure the best performance and installation of our downlights.

- Only to be installed into the ceiling.
- Indoor use only.
- Dimmable – a trailing-edge dimmer should be used. Approved dimmer list available at lumi-plugin.com.
- All our products must be installed in accordance with the latest amendment of wiring regulations BS 7671.
- Fire rated 30/60/90 minutes under BS EN 1365-2:2014.
- Safely isolate the mains power before installing or replacing.
- If the external flexible cable or cord of this luminaire is damaged, it shall be exclusively replaced by the manufacturer or the service agent or similar qualified person in order to avoid hazard.
- The light source contained in this luminaire shall only be replaced by the manufacturer or the service agent or similar qualified person.

**Warning: downlight contains mercury: 3.5mg**  
**Safety Warning: Never look directly into the downlight when switched on.**

**Insulated Installation**  
 Lumi-Plugin® downlights can be installed and covered by insulation.



The minimum distance from the top and side of the luminaire to any normally flammable building element is 0 mm.  
 The minimum distance from the top and side of the luminaire to any building insulation is 0 mm.

**Our legal bit**  
 If the product fails within the guaranteed period, Lumi-Plugin Ltd will replace it free of charge, but takes no responsibility for installation, operation or maintenance costs.

The guarantee period is invalid if:

- The downlight has been tampered with.
- The downlight has not been installed in accordance with local wiring regulations.
- Any of the downlight labels, manufacturing labels, rating labels have been removed.

Lumi-Plugin Ltd reserves the right to change product specification without notice.

**Our guarantee**  
 All our products come with a 5 year guarantee with exception of the Sprinkler & Mist. Your installer will provide you with guarantee information on these.

2002/96/EC – Waste Electrical & Electronic Equipment (WEEE) No: WEE/AU4375/F  
 2011/65/EU – Restriction of the use of certain Hazardous Substances in EEE (RoHS)  
 (EC) No 1907/2006 – The Registration, Evaluation, Authorisation and Restriction of Chemicals (REACH)  
 DOP – all available at lumi-plugin.com

All products are designed in the UK and Made in PRC. All the trademarks listed herein are owned by Copyright © Lumi-Plugin Limited.